

Undercarriage

Equipped with Berco D3 components, lubricated chain and dozer-type rollers, the oscillating undercarriage guarantees sufficient support and high performance on all types of terrain, as well as on slopes. Customers can choose between steel track pads (standard 500 mm wide pads or 700 mm LGP pads) and 500 mm rubber track pads, with the possibility to switch from one type to another easily as the track chain remains the same. With the 700 mm LGP track pads the ground pressure drops to an unequalled 0.26 kg/cm².



Cabin and display

The ROPS-FOPS-OPS cab is designed to operate in confined spaces and in direct contact with surrounding vegetation. Providing maximum operator comfort, the cab is optimally sound-proofed and equipped with an air-suspension driver's seat. The cab is easy to tilt using a manually operated pump.

The controls in the cabin are arranged logically and ergonomically with a 7" colour display which monitors the main parameters, selecting the functions and settings. Also, through the display diagnostics and troubleshooting procedures can be performed and the data gets automatically saved on a USB stick.



Cooling package

The PT-175 is equipped with an oversized high-capacity radiator for hydraulic oil, air and water to ensure optimum cooling even in the hottest operating conditions. The coarse fins of the radiator enhance efficiency by preventing dust and dirt from getting trapped, while facilitating maintenance.

The radiator can be fitted with a proportional and reversible fan. Together with the ECU, the fan position sensor controls the temperature, automatically adjusting the airflow by changing the pitch of the blades. Thus, providing just the right amount of airflow needed for efficient cooling, which results in less power absorbed and reduced fuel consumption. As well, the reversing cycle of the fan can simply be programmed by the operator through the display, making sure the radiator gets cleaned out continuously.



Applications

- Vegetation management
- Land clearing
- Land reclamation and recovery
- Forestry maintenance
- Fuel reduction
- Shredding wood debris
- Cutting fire breaks and forest corridors
- Cutting lines
- Cutting lines for pipelines and power lines
- Maintenance of road and rail embankments
- Maintenance of river banks

The new PT-175!



Offering the best in light/medium deforestation, the new Prime-Tech PT-175 delivers amazing performance while ensuring stability and traction even in the most demanding conditions. Its robust oscillating undercarriage guarantees excellent flotation and manoeuvrability. PrimeTech's new tracked carrier is set apart by its state-of-the-art design and high productivity in a wide range of operating conditions. This is thanks to the new 140/U forestry mulcher attachment with the innovative FAE SONIC hydraulic transmission management system: a technological solution to enhance performance by 30%!

Engine

The CAT 4.4 engine with 173 hp and 4 in-line cylinders delivers a perfect balance of durability, fuel efficiency and low emissions, in compliance with Tier 4 Final/Stage IV emissions regulations. The new CAT engine guarantees optimal performance on steep slopes and difficult terrain. The new PT-175 is capable of working vertical 45° continuously.



Hydraulics and electronics

The fully electronically controlled integrated speed and temperature sensors and new layout of the hydraulic components in the power train with a new hydraulic system yield the following advantages:

- enhanced performance
- optimized power control
- more compact layout
- effective diagnostics and troubleshooting
- customizing functions and settings adapted to the specific needs of the operator.

Electrical system

The changeover to 24-volt batteries enables cold start operation (CCA-Cold Cranking Ampere) with the improved performance of electrical components while minimising downtime.

FAE Group S.p.A. - PrimeTech Division

Via G. Marconi, 20 // 38011 Sarnonico (TN) // Italy // Tel. +39 0463 840 080 // Fax +39 0463 840 099

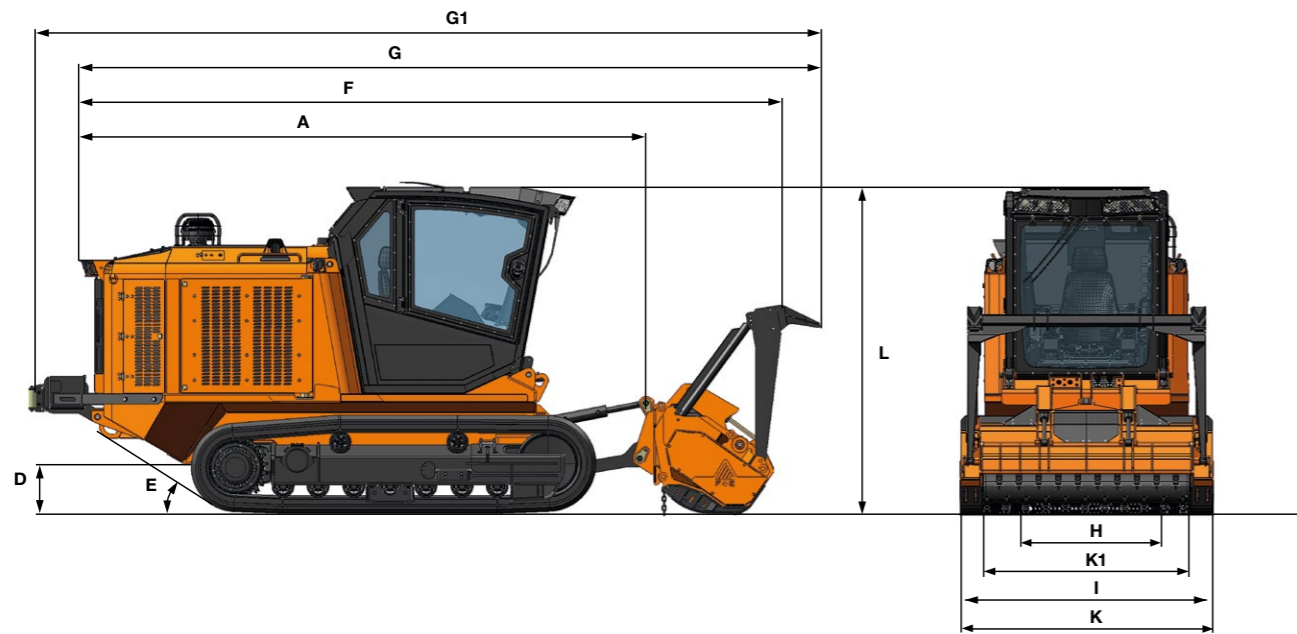
PrimeTech Shredding Equipment Ltd. - Branch Office

110 Saskatchewan Ave - Spruce Grove, AB, T7X 0V5 // Canada // Tel. 780-948-8882 // Fax 780-948-8886

www.prime-tech.com // info@prime-tech.com



a brand of FAE Group



> DIMENSIONS (side view)

| | | | | | |
|---|--------|---------|---|--------|---------|
| A Overall length without mulcher | 178 in | 4518 mm | F Overall length with mulcher on ground | 218 in | 5538 mm |
| D Ground clearance | 16 in | 415 mm | G Transport length with mulcher on ground | 233 in | 5913 mm |
| E Hitch angle | 33° | | G1 Transport length with mulcher on ground and winch | 253 in | 6422 mm |
| | | | L Cab height | 104 in | 2654 mm |

> DIMENSIONS (front view)

| VERSION | Seismic | | STD - steel or rubber pads | | LGP - steel pads | |
|------------------------------|-----------|---------|----------------------------|---------|------------------|---------|
| Track width | 20 in | 500 mm | 20 in | 500 mm | 28 in | 700 mm |
| H Track gauge | 49 in | 1250 mm | 61 in | 1250 mm | 61 in | 1550 mm |
| I Overall track width | 69 in | 1750 mm | 81 in | 2050 mm | 89 in | 2250 mm |
| FAE ATTACHMENT | | | | | | |
| | 140/U-140 | | 140/U-175 | | 140/U-200 | |
| K Overall width | 69 in | 1750 mm | 85 in | 2170 mm | 95 in | 2410 mm |
| K1 Working width | 55 in | 1410 mm | 72 in | 1830 mm | 81 in | 2070 mm |

> WEIGHT AND GROUND PRESSURE

| VERSION | Seismic | | STD - steel pads | | STD - rubber pads | | LGP - steel pads | |
|--------------------|----------|-------------------------|------------------|-------------------------|-------------------|-------------------------|------------------|-------------------------|
| • Track width | 20 in | 500 mm | 20 in | 500 mm | 20 in | 500 mm | 28 in | 700 mm |
| • Operating weight | 20944 in | 9500 mm | 21495 lbs | 9750 kg | 22046 lbs | 10000 kg | 22708 lbs | 10300 kg |
| • Ground pressure | 4.8 psi | 0,34 kg/cm ² | 4.9 psi | 0,35 kg/cm ² | 5.0 psi | 0,36 kg/cm ² | 3.7 psi | 0,26 kg/cm ² |

> DIESEL ENGINE

| | | | |
|----------------|-----------------------------|-------------------|------------------------------|
| • Model | CAT 4.4 | • N° of cylinders | 4 |
| • Gross power | 173 HP (129 KW) @ 2200 rpm | • Torque max | 553 lbf-ft / 750 Nm @1400 pm |
| • Max power | 173 HP (129 KW) @ 1900 rpm | • Fuel rate from | 5 gal/h / 19 l/h |
| • Displacement | 268 in ³ / 4,4 l | • Emission | Tier 4 Final / Stage IV |

> MAIN KEYS

| | | | |
|---------------------|-----------------------|---------------------------------|-----------------------------|
| • Max forward speed | 4 mph / 7 km/h | • Gradeability | 100% |
| • Max reverse speed | 4 mph / 7 km/h | • Tracks control | Danfoss Electronic Joystick |
| • Drawbar pull | 26970 lbf / 12000 daN | • Service hydr. circuit control | Danfoss Electronic Joystick |
| | | • Parking brake | Automatic |

> HYDROSTATIC TRACKS TRANSMISSION

| | | |
|----------------------------|---------------|-----------|
| • Pumps (2) | Danfoss | 60 cc |
| • Motors (2) | Bosch Rexroth | 60 cc |
| • Max pressure | 6000 psi | 420 bar |
| • Oil flow (2) | 66 gal/min | 250 l/min |
| • Hydraulic emergency stop | | |

> HYDROSTATIC MULCHER TRANSMISSION

| | | |
|-----------------|------------|-----------|
| • Pump | Danfoss | 100 cc |
| • Motor | Danfoss | 160 cc |
| • Work pressure | 5250 psi | 360 bar |
| • Oil flow | 61 gal/min | 230 l/min |

> REFILLING

| | | |
|----------------------|--------|-------|
| • Hydraulic oil tank | 61 gal | 230 l |
| • Fuel tank | 66 gal | 250 l |

> UNDERCARRIAGE AND TRACKS

| | |
|------------------------------------|------------------|
| • Undercarriage | D3 - oscillating |
| • Track shoes single grouser type: | 20 in / 500 mm |
| • Track shoes single grouser type: | 28 in / 700 mm |
| • Rubber pads chain-on type: | 20 in / 500 mm |

> FORESTRY MULCHER FAE140/U

| MODEL | 140/U-140 | | 140/U-175 | | 140/U-200 | |
|--|-----------|---------|-----------|---------|-----------|---------|
| • Rotor diameter | 18 in | 450 mm | 18 in | 450 mm | 18 in | 450 mm |
| • Overall width | 69 in | 1750 mm | 85 in | 2170 mm | 95 in | 2410 mm |
| • Working width | 55 in | 1410 mm | 72 in | 1830 mm | 81 in | 2070 mm |
| • Weight | 3417 lbs | 1550 kg | 3748 lbs | 1700 kg | 3968 lbs | 1800 kg |
| • Max. working depth | 2 in | 50 mm | 2 in | 50 mm | 2 in | 50 mm |
| • Grinding diameter (max) | 10 in | 250 mm | 10 in | 250 mm | 10 in | 250 mm |
| • Quantity of cutting teeth tungsten carbide type "C/3" + "C/3/SS" | 28 + 4 | | 38 + 4 | | 42 + 2 | |
| • Rotor rpm | 2350 | | 2350 | | 2350 | |
| • Hydraulic motor type | Danfoss | 160 cc | Danfoss | 160 cc | Danfoss | 160 cc |

Forestry mulcher

The PT-175 is equipped with a front-mounted hydraulically operated FAE cutting head, available in three widths:

- 140/U-140 (working width of 1465 mm)
- 140/U-175 (working width of 1820 mm)
- 140/U-200 (working width of 2060 mm)

The forestry mulcher offers a number of interesting new features, including a new push-frame design with raker teeth, adjustable skids to set the required operating depth and quick replacement screw-on counterblades to reduce maintenance costs. The innovative FAE SONIC system is an innovative feature resulting in an increase of productivity of 30%! It automatically and continuously guarantees running the rotor at the optimal torque, thus minimizing stall cycles, reducing recovery time and increasing efficiency in all kinds of operating conditions.



